

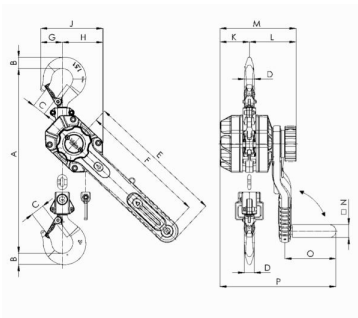


LEVER HOIST YALE ERGO 360

Redefining lever-operated hoists, the YaleERGO 360 features the revolutionary crank handle that allows for efficient operation in both lifting and pulling applications. Ergonomically designed for increased safety, the patent-pending YaleERGO 360 lets the operator to work up to 12 times faster and with as much as 30 % less pull force than with conventional ratchet lever tools.

Benefits and features:

- 360° rotation increases efficiency, allowing operators to work up to 12 times faster than with a conventional ratchet lever hoist.
- Requires 30 % less pull force to operate.
- Easy and effective operation from any angle with handle that folds down and locks into position on either side of the lever.
- Design keeps the operator's body aligned with the load chain, reducing the risk of the twist effect – when a hoist twists around the chain. No need to use a second hand to stabilize the hoist.
- Operator can securely grip the grooved, no-slip handle.
- Crank handle made of durable poliamide with a heavy-duty steel core for rugged use.



MODEL	MAX CAPACITY (kg)	NUMBER OF CHAIN FALLS	CHAIN DIMENSIONS d x p (mm)	LIFT WITH ONE PULL LEVER TURN (mm)	HANDLE PULL AT WLL daN	WEIGHT AT STANDARD LIFT (1.5 m) kg
YaleERGO 360 750	800	1	5.6 x 17.1	27.2	20	6.6
YaleERGO 360 1500	1600	1	7.1x21	21.7	26	9.5
YaleERGO 360 3000	3200	1	10 x 28	20.1	40	16.8

MODEL	MAX CAPACITY (kg)	NUMBER OF CHAIN FALLS	CHAIN DIMENSIONS d x p (mm)		LIFT WITH ONE PULL LEVER TURN (mm)	HANDLE PULL AT WLL daN	WEIGHT AT STANDARD LIFT (1.5 m) kg
YaleERGO 360 6000	6000	2	10 x 28	10.1		38.0	28.6

CODE	MODEL	DIMENSIONS (mm)															
		A	B	C	D	E	F	G	H	J	K	L	M	N	O	P	
3Y361075	YaleERGO 360 750	320	20	27	18	327	300	40	81	121	56	105	161	30	120	257	
3Y361150	YaleERGO 360 1500	375	26	31	21	327	300	51	96	147	69	110	179	30	120	273	
3Y361300	YaleERGO 360 3000	445	37	40	28	377	350	57	123	180	86	121	207	30	120	299	
3Y361600	YaleERGO 360 6000	563	45	44	35	377	350	71	162	233	86	121	207	30	120	299	