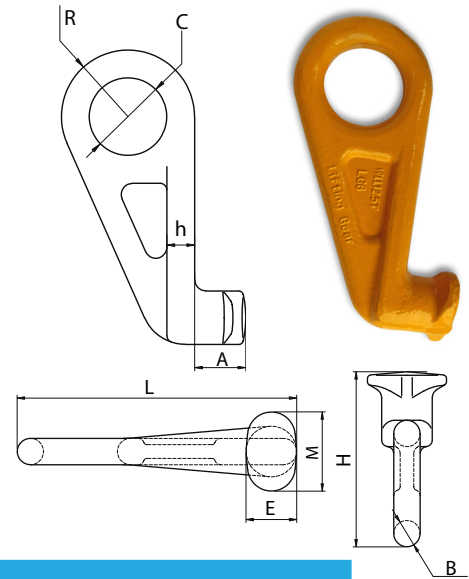


CONTAINER HOOK

Container Hooks are a special purpose hook suitable for lifting containers by connection to twist lock pocket. The large diameter eye allows most hooks size to fit. There is left and right hand configurations and a straight configuration available.

- Marked with Chain size, product ID, grade with manufacture quality mark.
- Manufactured from G80 alloy steel with a safety factor of 4 to 1.
- Conforms to AS 3776, Test Certificates available upon request.



CODE		SIZE G80 (mm)	SIZE G100 (mm)	WLL (tonne)	WEIGHT (kg)	DIMENSIONS (mm)								
						A	B	C	E	R	M	L	H	h
287301	Straight	20	19	12.5	4	46	25	70	48	60	75	265	166	25
287302	LH45	20	19	12.5	4	46	25	70	48	60	75	265	166	25
287303	RH45	20	19	12.5	4	46	25	70	48	60	75	265	166	25