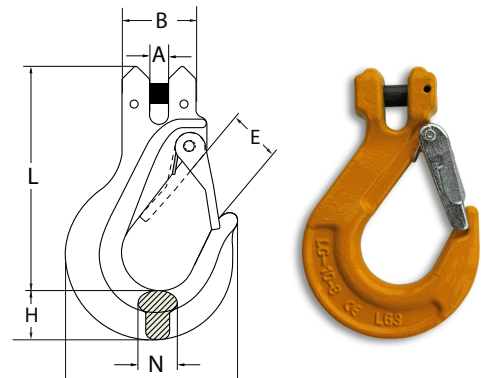


SLING HOOK - CLEVIS

Sling Hooks are a general purpose hook suitable for most slinging applications. They come with cast latch for added safety.

Clevis allows easy connection to Chain.

- Marked with Chain size, product ID, grade with manufacture quality mark
- Manufactured from G80 alloy steel with a safety factor of 4 to 1.
- Test Certificates available upon request.
- Conforms to AS3776.



CODE	SIZE (mm)	WLL (tonne)	WEIGHT (kg)	DIMENSIONS (mm)					
				A	B	E	N	H	L
255306	6	1.12	0.3	7.5	32	22	18	20.5	121
255308	7, 8	2	0.5	9	36	25.5	18	23.5	137
255310	10	3.15	0.95	12	46	34	20	30	175.5
255313	13	5.3	1.9	15	59	41.5	29.5	37.5	210.5
255316	16	8	3.45	17.5	70	46	34	42.5	248.5
255320	18, 20	12.5	6.5	23	80	52	45	54	309
255322	22	15	9.65	25.5	98	60	48	76	375.5